

Control Unit

SPECIFICATION

The Enlighted Control Unit provides power to any of the Enlighted sensor units (Smart Sensor, Ruggedized Sensor, or Compact Sensor) and connects to a ballast or LED driver to control light behavior, or receptacle relays to provide on/off controls. The Control Unit also contains a power metering chip that enables the Enlighted control network to measure power in real time as well as energy consumption over time.



OVERVIEW

The Enlighted Control Unit is typically wired to the fixture's LED driver or dimming ballast to control light levels with high reliability and security—defaulting to full-output in any failure mode. It also connects to the Enlighted sensor units which contain microprocessors and sensor arrays that integrate occupancy, daylight and temperature sensing. Customizable software profiles that drive each sensor unit enable easy definition of parameters to balance energy efficiency and occupant comfort goals. The sensor unit continuously takes occupancy, vacancy and light readings, interprets this data and instructs the Enlighted Control Unit in how to adjust illumination levels accordingly.

FEATURES

Real-Time Measurement and Verification of Energy Savings

- Measures baseline wattage and energy consumption per fixture

Simple and Low-Cost Installation

- Designed to fit within fixture cavity to speed installation
- Factory-installable into fixture for streamlined project installation

Flexible Configuration

- Allows control of many small low-wattage fixtures with single unit (output up to 4.5A)

Latching Relay to Reduce Standby Power

- Ensures fixture defaults to a power-on mode in the case of failure
- Reduces standby power consumption of each unit to 500mW, compared with traditional relays

Fixture Outage Reports

- Harvests performance data via embedded power meter chip
- Enlighted control network generates fixture outage reports to reduce maintenance costs and increase occupant safety and comfort

The Enlighted Control Unit

L	6.26"	158.9mm
W	1.18"	29.9mm
H	1.00"	25.4mm
Weight	3.53 oz	100 grams

ENLIGHTED SPECIFICATION SUBMITTAL

Job Name:

Job Number:

Model Numbers:

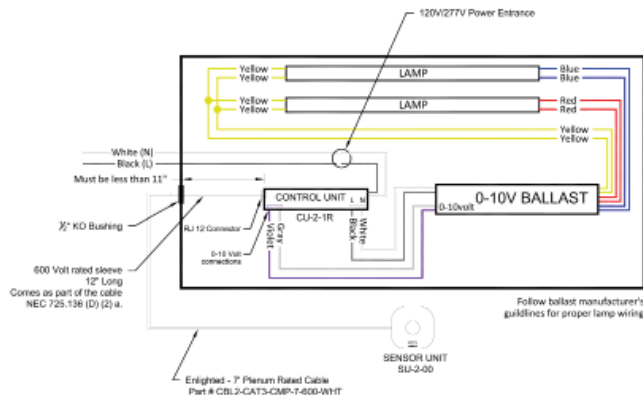
CU-3E-1R

Control Unit

MOUNTING

The Control Unit is UL Listed to be mounted inside fixtures and NEMA rated enclosures. Sheet metal screws are typically used to mount the Control Unit in these environments.

TYPICAL LINE DIAGRAM



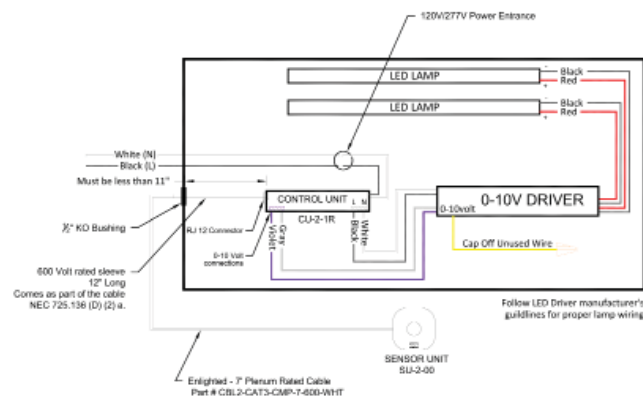
- (1) SENSOR UNIT
SU-X, CS-X, RS-X
- (1) CONTROL UNIT
CU-3-1R
- (1) FIXTURE
- (1) 0-10V DIM BALLAST
- (1) SENSOR CABLE
CBL2-CAT3-CMP-7-600-WHT



The Enlighted Control Unit

L	6.26"	158.9mm
W	1.18"	29.9mm
H	1.00"	25.4mm

T8 LED TYPICAL LINE DIAGRAM



- (1) SENSOR UNIT
SU-X, CS-X, RS-X
- (1) CONTROL UNIT
CU-3-1R
- (1) FIXTURE
- (1) 0-10V LED DIM DRIVER
- (1) SENSOR CABLE
CBL2-CAT3-CMP-7-600-WHT

TECHNICAL SPECIFICATIONS

Operating: -31° to 185° F
-35° to 85° C ambient

Connector Type: RJ-12 modular plug

Enclosure: 30% fiberglass reinforced PET

Input Voltage: 120/277 VAC

Input Frequency: 50/60 Hz

Power Output: Push in style; 12-18 AWG

Dimmer Control Input: Push in style
18-24 AWG

Dimmer Control Output: 0-10VDC

Lead Wires: 24" 300 VAC, 18 AWG solid

Max Output: 4.5A maximum continuous

Warranty: 3 years

ORDERING INFORMATION

CU-3E-1R Enlighted Control Unit

COMPLIANCE

Worldwide

RoHS

Europe

United States



China

Canada

