

Gateway

SPECIFICATION

The Enlighted Gateway is the intermediary device between the Enlighted Energy Manager and the Enlighted control network. The Gateway relays energy, environmental and occupancy data captured by Enlighted Smart Sensors to the Energy Manager for analysis and reporting. It also communicates configuration changes from the Energy Manager out to sensors and other network devices.



OVERVIEW

The Enlighted Gateway (GW-2-V2) aggregates wireless traffic between the network of Enlighted Smart Sensors and the Energy Manager appliance. Each Gateway sends and receives data for up to 250 individual sensors. It uses the IEEE 802.15.4 protocol for wireless communication with the sensors and a wired TCP/IP network for communication with the Enlighted Energy Manager.

FEATURES

Data Security

- AES 128-bit encryption for wireless data transmission
- SSL encryption for TCP/IP data transmission

Scalability

- Individual Gateway supports up to 250 individual sensors
- System architecture enables effective scalability to very large applications

Standard Communication Protocols

- Use of industry standard communication protocols provides robust and mature capabilities

Operating Range

- 150 ft. radius (46m) open range expected in open ceiling installation
- Individual sensor units can function as repeaters to extend operating range

The Enlighted Gateway

L	3.01"	76.5mm
W	4.01"	101.9mm
H	1.38"	35.0mm
Weight	4.23 oz	120 grams

ENLIGHTED SPECIFICATION SUBMITTAL

Job Name:

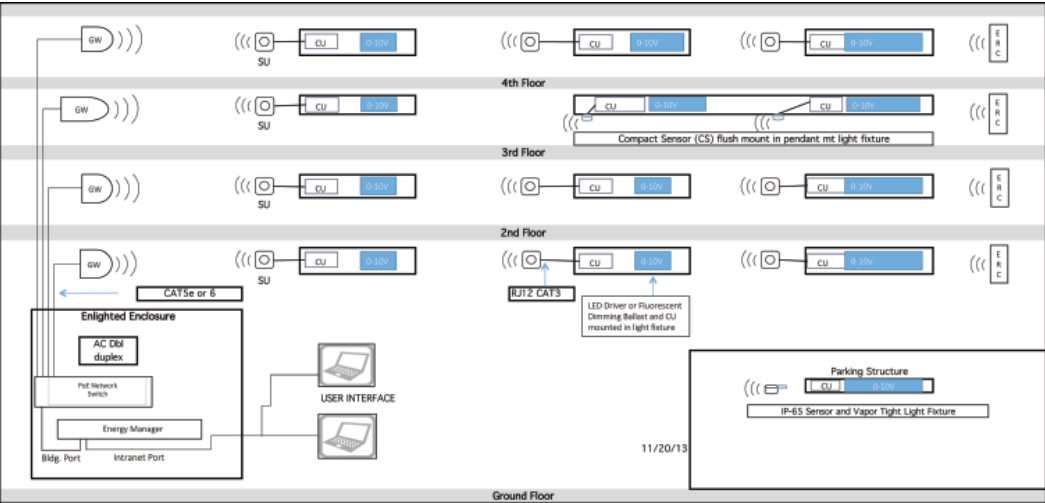
Job Number:

Model Numbers:
 GW-2-01

Gateway

WIRING & OPERATIONS

One or more Gateways may be deployed on each floor to relay information between the sensors and the Enlighted Energy Manager appliance. The device mounts to the ceiling at the same height as an individual sensor device. The antenna is then pointed down. CAT5e cable is run from the Enlighted Gateway to the Enlighted PoE switch (RJ-45 connector not shown).



The Enlighted Gateway

L	3.01"	76.5mm
W	4.01"	101.9mm
H	1.38"	35.0mm

TECHNICAL SPECIFICATIONS

- Radio Frequency: 2400–2483.5 MHz
- RF TX Output Power: 0 dBm (average)
- Wireless Protocol: IEEE 802.15.4 compliant
- Wireless Range: 150 ft. radius (46m) open range
- Operating: 32° to 122° F / 0° to 50° C
- Connector Type: RJ-45
- Enclosure: Recyclable ABS
- Input Voltage: PoE / 48V
- Warranty: 3 years

ORDERING INFORMATION

GW-2-01 Enlighted Gateway

COMPLIANCE

- Worldwide **RoHS**
- United States **FC**
- Canada **IC** **UL LISTED** **SP**
- Europe **CE**
- China **CMIIT**
- IDA Standards DA107239